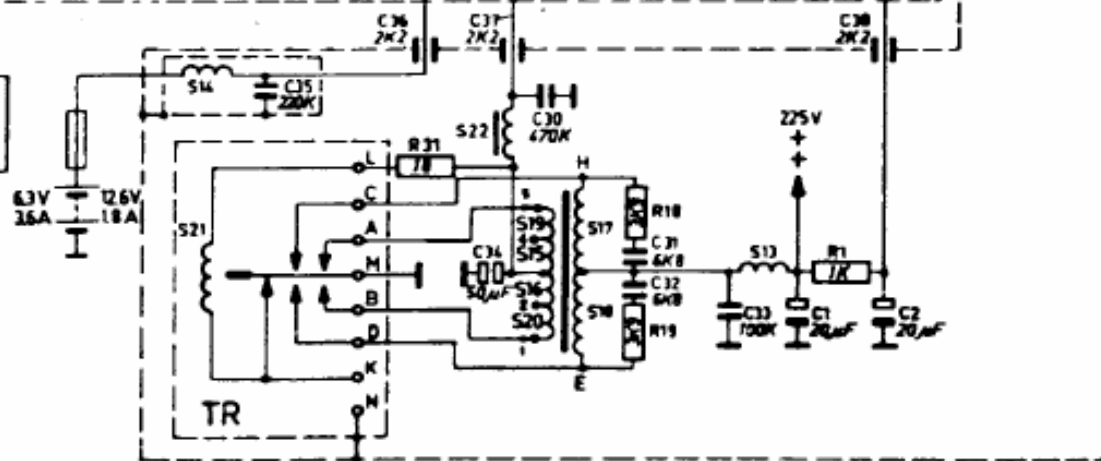
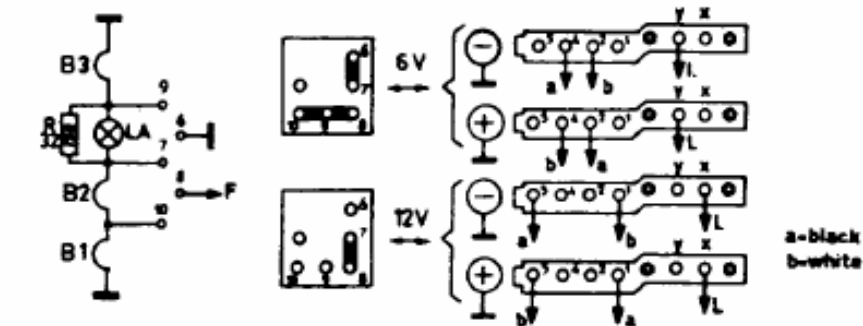
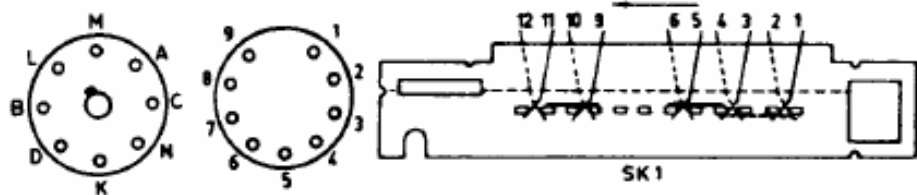
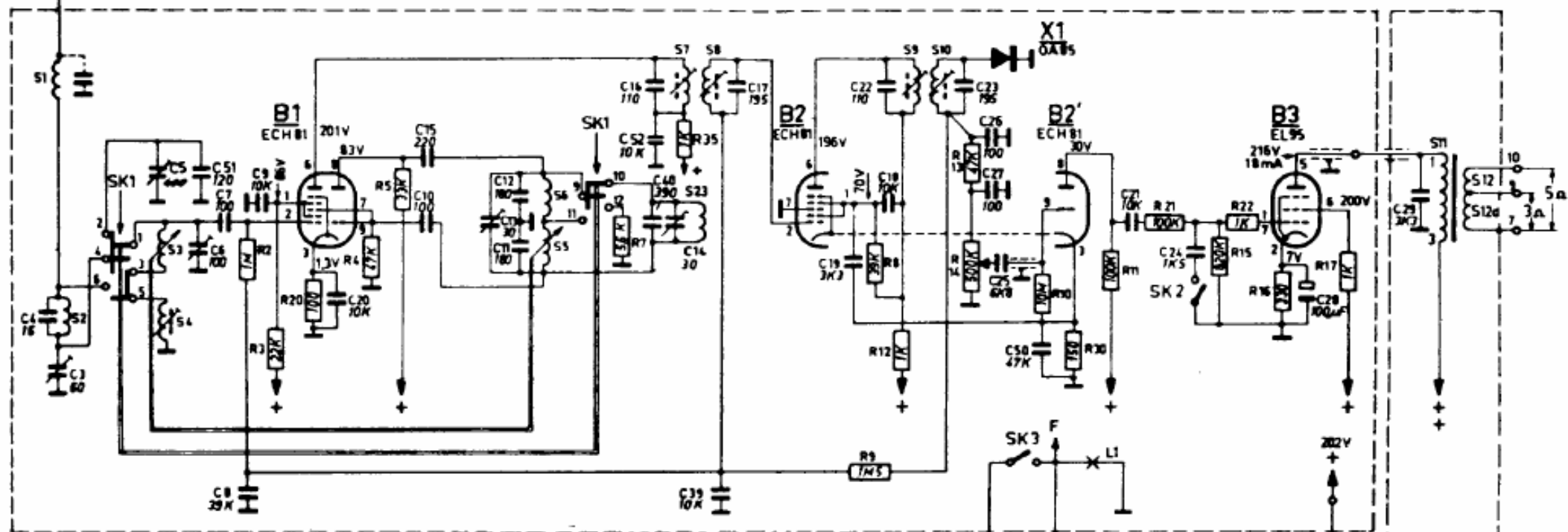


S:	1, 2	3, 4	6, 5	7	8, 23	14, 21	9, 10	22, 15, 16, 17, 18, 19, 20	13	11, 12, 12d						
C:	4, 3	5, 51, 6, 7, 8, 9	20	15, 10	13, 11, 12	52, 40, 16, 14	39, 17	19, 22, 18, 35	23, 36, 26, 27, 25	50, 34, 37, 30	21, 31, 32	24, 33	32	1	28, 38, 2	29
R:		2, 3, 20	4, 5		7	35		9, 8, 12	13, 14	31, 10, 30	11, 18, 19, 21	15, 22	16, 1	17		



R 188 70